



ELONGATED
One-Piece
High Efficiency Toilet
#OE12W

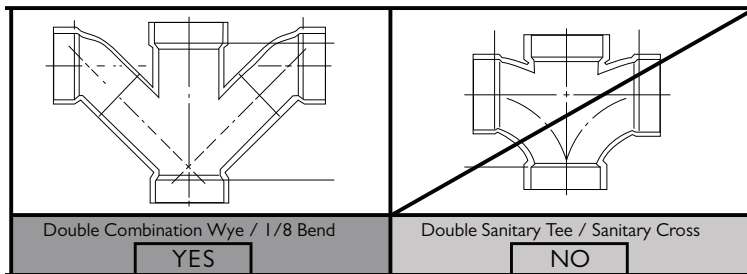
1. SPECIFICATIONS

- Water Use 1.28 GPF/4.8LPP
- Min. Water Pressure 8 psi (flowing)
- Water Surface 6-7/8" x 9-3/4"
- Trap Diameter 2-1/8"
- Rough-in 12"
- Trap Seal 2-1/8"
- Warranty One Year Limited Warranty
- Material Vitreous china
- Shipping Weight 108 lbs.
- Shipping Dimensions 29-1/2" L x 18"W
x 19-1/4" H¹ x 27-1/8" H²

2. INSTALLATION NOTES

Back-to-Back Toilet Installations:

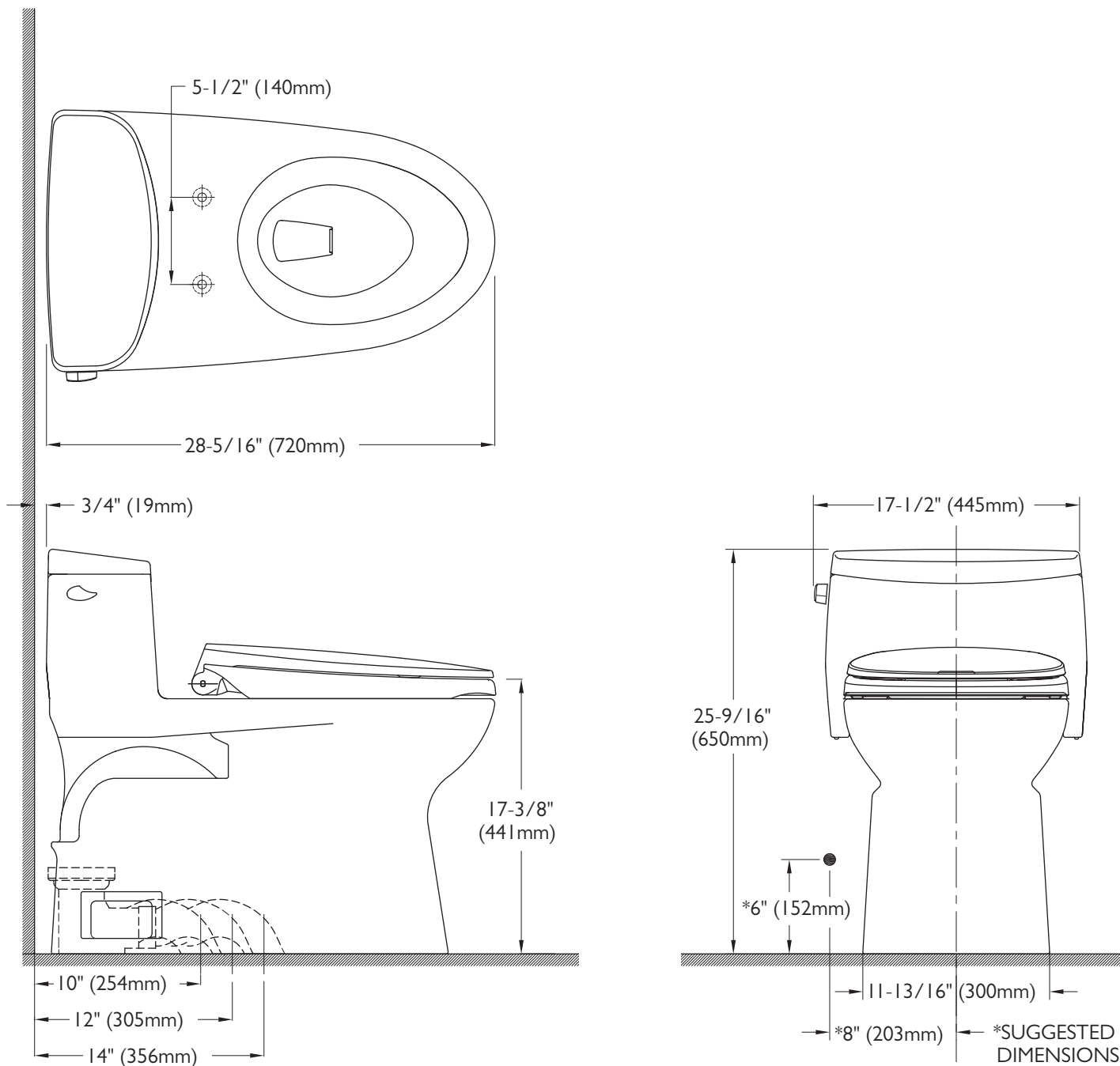
Fine Fixtures recommends the use of a nationally listed, double sanitary tee-wye only, in vertical waste stacks, in accordance with the stipulations noted in the majority of nationally recognized plumbing codes.



3. FEATURES

- Dual Flush flushing system, low consumption (1.28GPF/4.8LPP)
- Skirted design
- ceramic glaze - prevents debris and mold from sticking to ceramic surfaces, leading to fewer chemicals and less water in cleaning
- Universal Height
- Decorative one-piece design with low-profile tank
- Elongated front bowl with SoftClose seat
- 12" Unifit rough-in (included), less supply
- Chrome trip lever

DIMENSIONS/TECHNICAL DATA



ATTENTION! Dimensions may vary by up to $3/8"$. It is highly recommended to pull all dimensions of actual model for installation and measuring purposes.

TECHNICAL DATA

- Dual flush: 1/1.6 GPF